



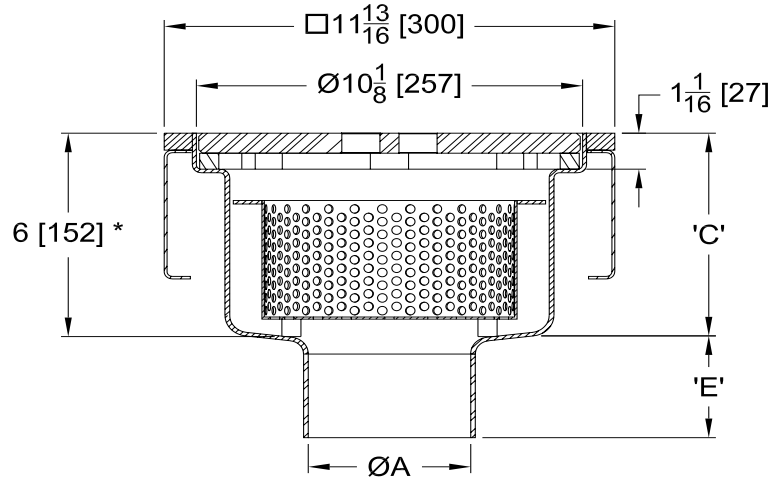
Z1803-12S

12" X 12" [305 X 305] SQUARE INDUSTRIAL STANDARD SANITARY FLOOR DRAIN

SPECIFICATION SHEET

TAG _____

Design and Dimensional Data (inches and [mm]) are Subject to Manufacturing Tolerances and Change Without Notice



ENGINEERING SPECIFICATION: ZURN Z1803-12S

12 X 12 [305 X 305] Square X 6 [152] Deep, 12 gauge, type 304 stainless steel, square industrial standard sanitary floor drain features seamless drain body construction and sloped sump bottom, loose set extra heavy-duty slotted grate (1/2 [13] thick plate with 1/2 [13] anti tilt lugs) with finger holes, 1-1/16 [27] top frame, perforated removable sediment basket with lift handle, pre-pour stabilizing concrete anchor tabs, and bead blasted finish.

OPTIONS (Check/specify appropriate options)

PREFIXES

___ Z Type 304 (CF8) Stainless Steel* ___ ZM Type 316 (CF8M) Stainless Steel

PIPE SIZE (ØA)

- 2, 3, 4 [51, 76, 102]
- 6 [152]
- 2, 3, 4 [51, 76, 102]
- 6 [152]
- 2, 3, 4 [51, 76, 102]
- 6 [152]
- 2 [51]
- 3, 4 [76, 102]
- 6 [152]

OUTLET (specify size)

- ___ BW Butt-Weld (Sch. 40)
- ___ BW Butt-Weld (Sch. 40)
- ___ NH No-Hub (Sch. 10)
- ___ NH No-Hub (Sch. 10)
- ___ IP Threaded
- ___ IP Threaded
- ___ A Adjustable Threaded
- ___ A Adjustable Threaded
- ___ A Adjustable Threaded

'E' OUTLET HT. DIM.

- 3 [76]
- 2 [51]
- 3 [76]
- 2 [51]
- 3 [76]
- 2 [51]
- 4-3/4 [121] MIN.- 6 [152] MAX.
- 3-1/2 [89] MIN.- 5-3/4 [146] MAX.
- 4-3/4 [121] MIN.- 7 [178] MAX.

GRATE OPTIONS

- ___ -H3 Extra Heavy-Duty Perimeter Gap -1/2 [13] Plate
- ___ -H5 Extra Heavy-Duty Slotted Grate - 1/2 [13] Plate with Finger Holes*
- ___ -H9 Medium-Duty Perforated Grate
- ___ -G3 3/4 Grate
- ___ -G2 1/2 Grate

OPEN AREA

- 15 in² [97 cm²]
- 19.2 in² [124 cm²]
- 24.1 in² [155.5 cm²]

SUFFIXES

- ___ -BF Butterfly Lock Sediment Basket (4" Sch. 40 Outlet Only)
- ___ -K Anchor Flange (Located 2" below finished grate)
- ___ -KC Anchor Flange with Seepage Holes and Clamp Collar (Located 2" below finished grate)
- ___ -MG EZ Magnetic Lock Drain Line Protection
- ___ -P 1/2 [13] Trap Primer Connection
- ___ -VP Vandal Proof Secured Top
- ___ -Y Standard Perforated Removable Sediment Basket*

'C' SUMP HT. DIM.

- ___ -4 4 [51] Deep Sump
- ___ -6 6 [152] Deep Sump*
- ___ -8 8 [203] Deep Sump
- ___ -10 10 [254] Deep Sump

* Regularly furnished unless otherwise specified.

WARNING: Cancer and Reproductive Harm - www.P65Warnings.ca.gov

ADVERTENCIA: Cáncer y daño reproductivo - www.P65Warnings.ca.gov

AVERTISSEMENT: Cancer et effets néfastes sur la reproduction - www.P65Warnings.ca.gov